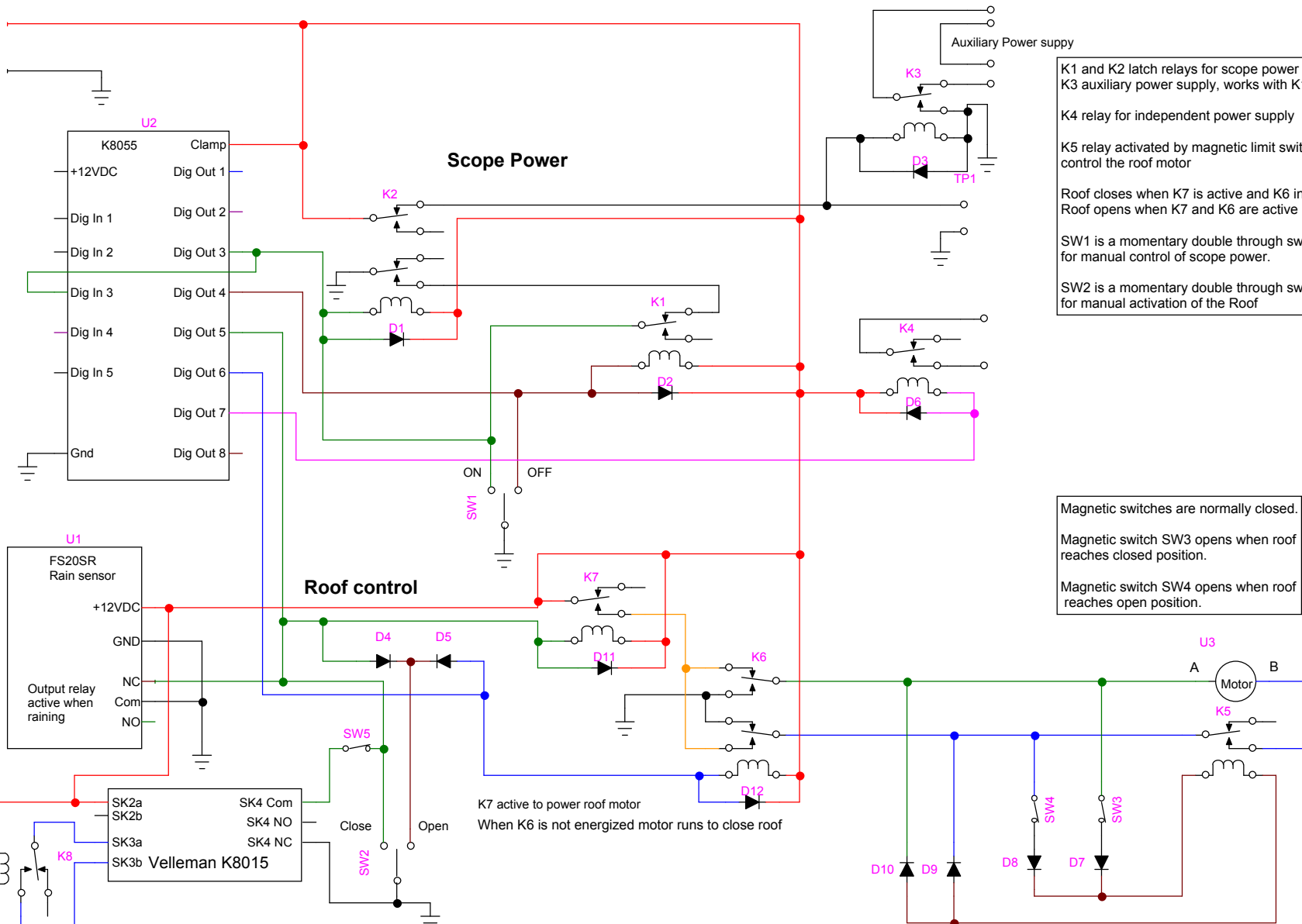


+12VDC



K1 and K2 latch relays for scope power  
 K3 auxiliary power supply, works with K1 and K2  
 K4 relay for independent power supply  
 K5 relay activated by magnetic limit switch, control the roof motor  
 Roof closes when K7 is active and K6 inactive  
 Roof opens when K7 and K6 are active  
 SW1 is a momentary double through switch for manual control of scope power.  
 SW2 is a momentary double through switch for manual activation of the Roof

Magnetic switches are normally closed.  
 Magnetic switch SW3 opens when roof reaches closed position.  
 Magnetic switch SW4 opens when roof reaches open position.

K7 active to power roof motor  
 When K6 is not energized motor runs to close roof

LesveDome driver activates this line every 50 "Timer intervals"

Velleman K8015 DIP switch SW1 must set for "Staircase" mode  
 See Velleman documentation